

LED Flood Lights

200 Watt



Features

Ultra-slim design
 UL DLC certified
 IP65 rated for wet locations
 Premium quality SMD LED
 Excellent heat dissipation
 High purity aluminum alloy
 Non-Dimmable
 Color Temp: 5000K
 Color: Bronze
 Quality integrated driver
 Driver efficiency >87%
 PF >0.9
 Voltage: 100-277 VAC
 Lifetime: 50,000 hours

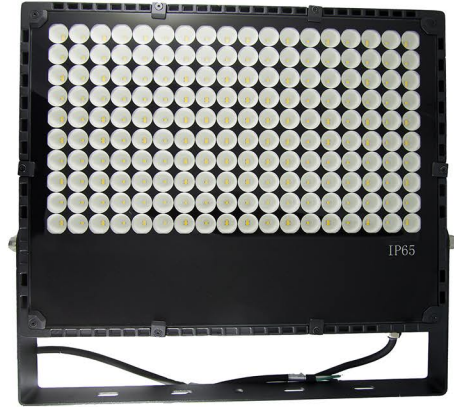
200 Watt

Beam Angle: 60°
 20000 Lumens
 Beam Angle: 110°
 24000 Lumens

150 Watt

Beam Angle: 60°
 15000 Lumens
 Beam Angle: 110°
 18000 Lumens

150 Watt



LFL-TD200-A50-60
 LFL-TD200-A50-110
 LFL-TD150-A50-60
 LFL-TD150-A50-110

200 watt, 5000K, 20000 lumens, 60° beam angle
 200 watt, 5000K, 24000 lumens, 110° beam angle
 150 watt, 5000K, 15000 lumens, 60° beam angle
 150 watt, 5000K, 18000 lumens, 110° beam angle

LED Flood Lights

100 Watt



Features

Ultra-slim design
 UL DLC certified
 IP65 rated for wet locations
 Premium quality SMD LED
 Excellent heat dissipation
 High purity aluminum alloy
 Non-Dimmable
 Color Temp: 5000K
 Color: Bronze
 Quality integrated driver
 Driver efficiency >87% / PF >0.9
 Voltage: 100-277 VAC
 Lifetime: 50,000 hours

100 Watts

Beam Angle: 60°
 10000 Lumens
 Beam Angle: 110°
 12000 Lumens

50 Watts

5500 Lumens

30 Watts

3300 Lumens

20 Watts - 120 VAC Only

2000 Lumens

50 Watt



20-30 Watt

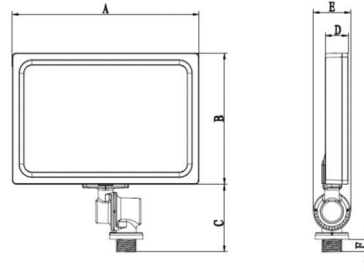


LFL-TD100-A50-60
 LFL-TD100-A50-110
 LFL-TA50-A50
 LFL-TA30-A50
 LFL-TA20-A50

100 watt, 5000K, 10000 Lumens, 60° beam
 100 watt, 5000K, 12000 Lumens, 110° beam
 50 watt, 5000K, 5500 Lumens
 30 watt, 5000K, 3300 Lumens
 20 watt, 5000K, 2000 Lumens, 120 VAC ONLY

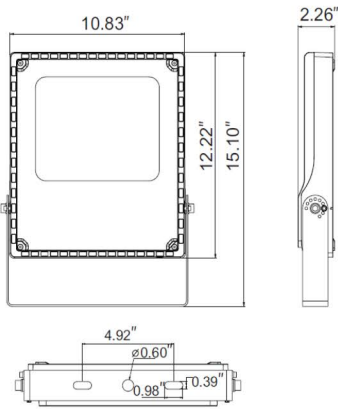


Dimensions

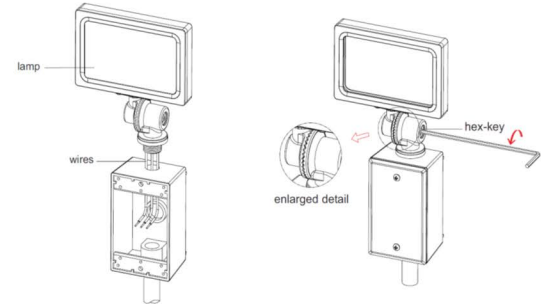
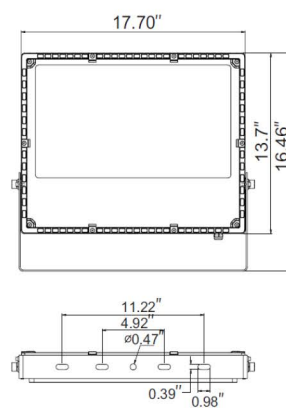


| | 20W | 30W | 50W |
|---|-------|-------|-------|
| A | 7.48" | 9.44" | 11.8" |
| B | 5.12" | 6.49" | 8.27" |
| C | 2.63" | 2.63" | 2.63" |
| D | 0.93" | 1.16" | 1.42" |
| E | 1.49" | 1.49" | 1.49" |
| F | 0.65" | 0.65" | 0.65" |

100 Watts



150 & 200 Watts



Hollow, streamline and integrated design, delicate and fashionable

It has delicate appearance, multi colors also available.

Protection level: Wet Location

Sealed with silicone, protection level can be IP65, avoid dust completely, also prevent water

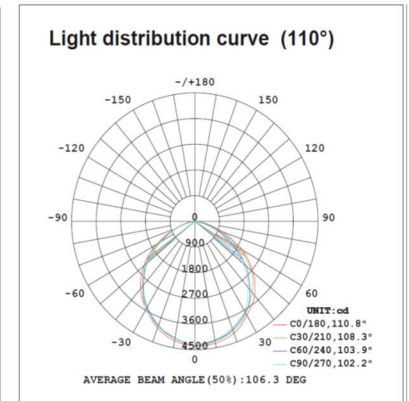
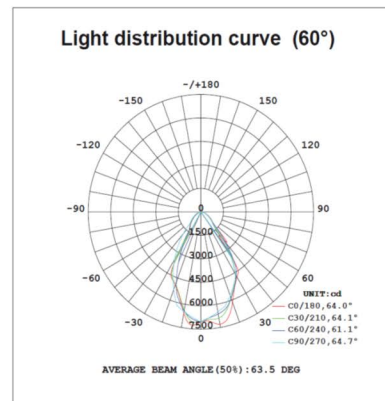
The angle of bracket can be adjusted wildly.

The bracket is twin-screw and loose-proof, with many set points on it. 15° as one scale, adjustable angle over 180°. Install easily suitable for many occasions.

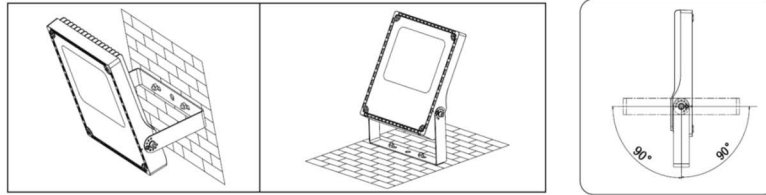
Hollow and integrated heat dissipation design

Fins are integrated with lamp, and are located around many hollow holes. The hollow holes with checkless convection and fins contribute to high efficiency solid heat dissipation, to maximize dissipate heat, and ensure the stable work of lamp.

Optical Properties

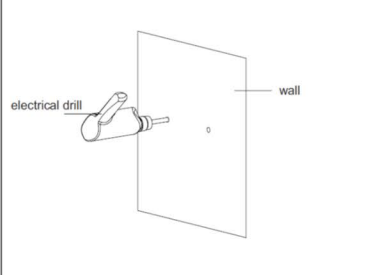


Example of Installation

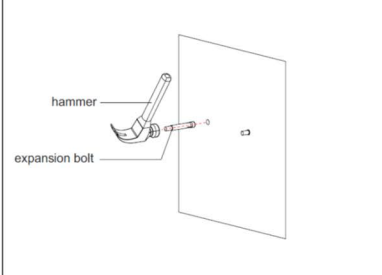


Installation Instruction

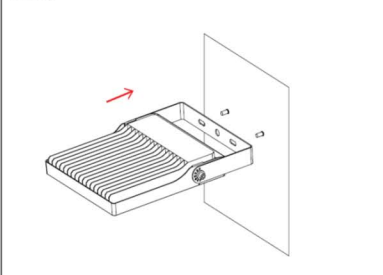
1. Mark the position of the fixing holes with flood light bracket, then drill the fixing holes



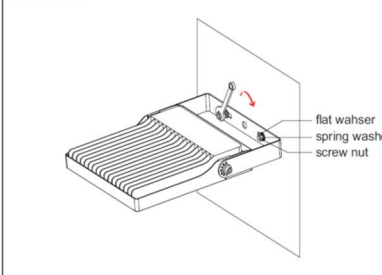
2. Drive in the bolts to the pre-drilled holes with thread outside, as the below pic indicate.



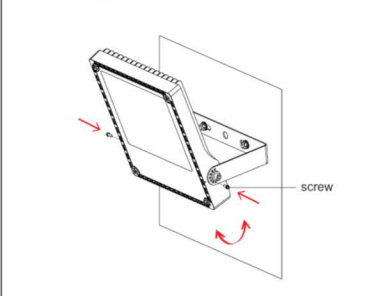
3. Make the bracket face tightly to the wall through the thread.



4. Fasten the screw nut clockwise with provided hardware by wrench.



5. Rotate the light to the proper angle and fasten the screws.



6. Fasten the screw both sides with allen driver.

