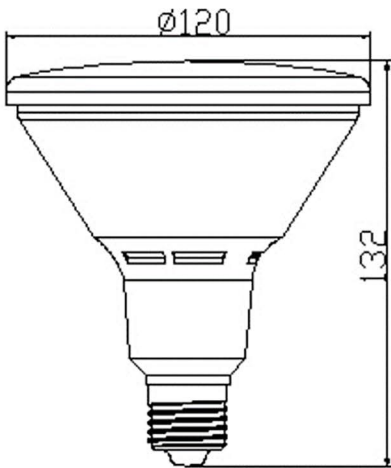


LED PAR Lamps CK Series - Energy Star, UL ULc, ETL ETLc

PAR38 COB



- Dimmable
- CRI 90 and 80
- 20W 1400~1500lm output
- Luxury cold forging Aluminum Alloy heat sink
- AirFlux Technology provides outstanding heat dissipation
- Lifespan: 40,000 hrs
- Starting Time: 0.5S
- Luminous Efficacy: 75~85 lm/w
- Private mould and patent design
- Replaces for 180~200W incandescent bulbs w/energy saving more than 90%
- 3 year warranty
- Dimensions: D120*H132 mm
- Works with 90-265V AC 50/60Hz (277V available)
- 38° or 80° beam angle

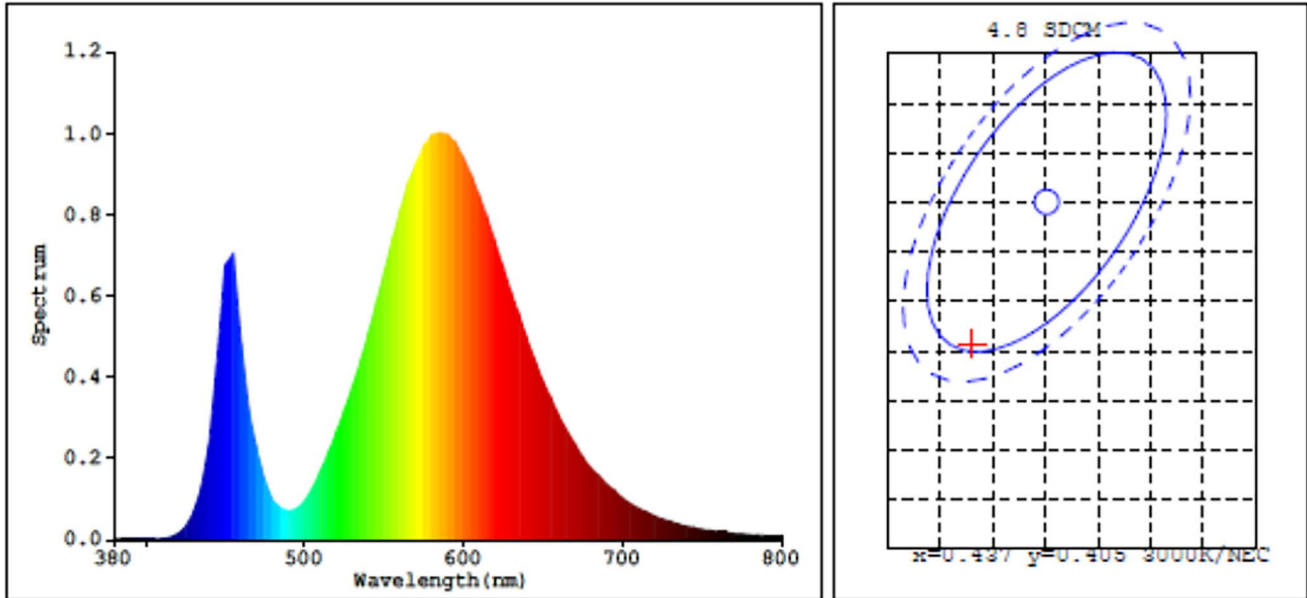


Item Codes

LPAR38CK-D20-30-38 :	20 Watts, 1400 Lumen, 3000 K, CRI 80, 38°, Dimmable
LPAR38CK-D20-45-38 :	20 Watts, 1400-1500 Lumen, 4500 K, CRI 80, 38°, Dimmable
LPAR38CK-D20-60-38 :	20 Watts, 1400-1500 Lumen, 6000 K, CRI 80, 38°, Dimmable
LPAR38CK-D20C90-30-38 :	20 Watts, 1400 Lumen, 3000 K, CRI 90, 38°, Dimmable
LPAR38CK-D20C90-45-38 :	20 Watts, 1400-1500 Lumen, 4500 K, CRI 90, 38°, Dimmable
LPAR38CK-D20C90-60-38 :	20 Watts, 1400-1500 Lumen, 6000 K, CRI 90, 38°, Dimmable
LPAR38CK-D20-30-80 :	20 Watts, 1400 Lumen, 3000 K, CRI 80, 80°, Dimmable
LPAR38CK-D20-45-80 :	20 Watts, 1400-1500 Lumen, 4500 K, CRI 80, 80°, Dimmable
LPAR38CK-D20-60-80 :	20 Watts, 1400-1500 Lumen, 6000 K, CRI 80, 80°, Dimmable

LED PAR Lamps CK Series - Energy Star, UL ULc, ETL ETLc

Light Source Test Report



Color Parameters:

Chromaticity Coordinate: $x=0.4304$ $y=0.3896$

Chromaticity Coordinate: $u'=0.2527$ $v'=0.5146$ ($duv=-5.00e-03$)

Tc=2991K Dominant WL:Ld=584.8nm Purity=46.1% Centroid WL:583.0nm

Ratio:R=21.5% G=77.1% B=1.4% Peak WL:Lp=585.0nm HWL:98.9nm

Render Index:Ra=60.2

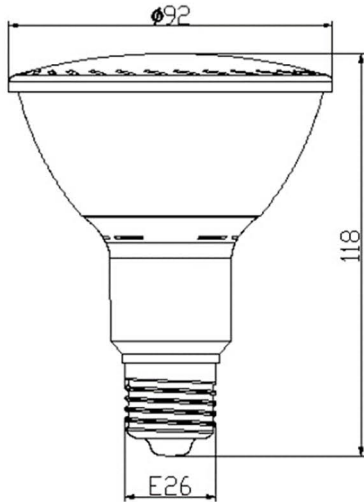
R1 =54	R2 =75	R3 =90	R4 =50	R5 =52	R6 =60	R7 =71	
R8 =30	R9 =-65	R10=41	R11=35	R12=28	R13=58	R14=94	R15=50

Photo Parameters:

Flux: 1914.6 lm Fe: 5.3680 W Efficacy:92.06 lm/W

LED PAR Lamps CK Series - Energy Star, UL ULc, ETL ETLc

PAR30 COB



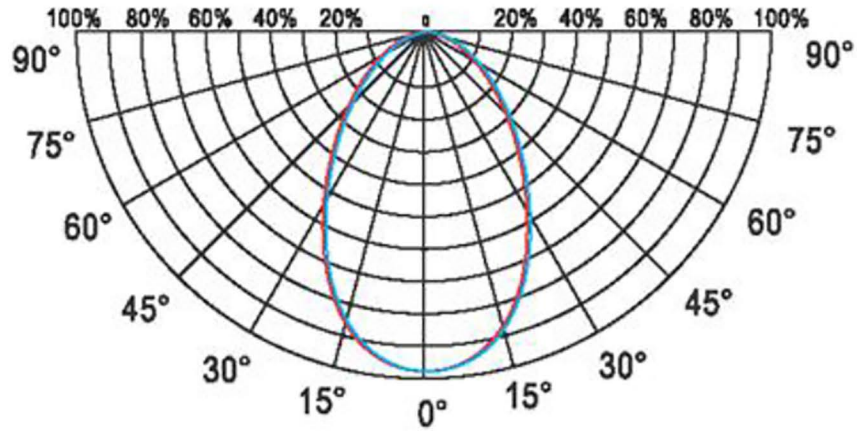
- Dimmable
- CRI 90 and 80
- 15 W 1200~1300 lm output
- Luxury cold forging Aluminum Alloy heat sink
- AirFlux Technology provides outstanding heat dissipation
- Lifespan: 40,000 hrs
- Starting Time: 0.5S
- Luminous Efficacy: 75~85 lm/w
- Private mould and patent design
- Replace for 140~150W incandescent bulbs w/energy saving more than 90%
- 3 year warranty
- Dimensions: D92*H118 mm
- Works with 90-265V AC 50/60Hz (277V available)
- 38° or 80° beam angle



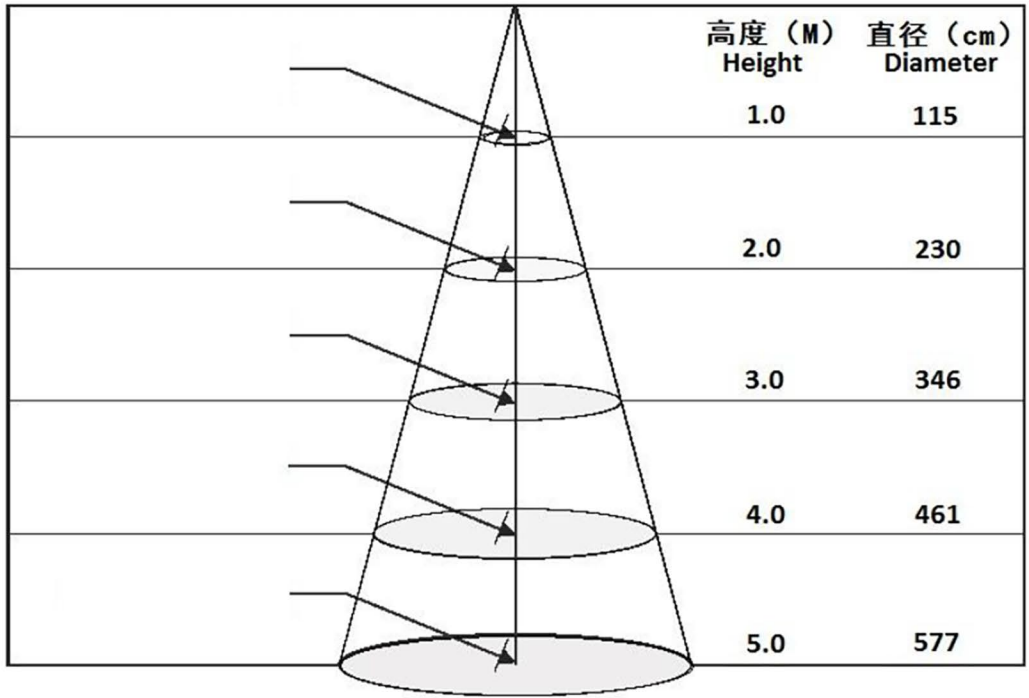
Item Codes

LPAR30CK-D15-30-38 :	15 Watts, 1200 Lumen, 3000 K, CRI 80, 38°, Dimmable
LPAR30CK-D15-45-38 :	15 Watts, 1200-1300 Lumen, 4500 K, CRI 80, 38°, Dimmable
LPAR30CK-D15-60-38 :	15 Watts, 1200-1300 Lumen, 6000 K, CRI 80, 38°, Dimmable
LPAR30CK-D15-30C90-38 :	15 Watts, 1200 Lumen, 3000 K, CRI 90, 38°, Dimmable
LPAR30CK-D15-45C90-38 :	15 Watts, 1200-1300 Lumen, 4500 K, CRI 90, 38°, Dimmable
LPAR30CK-D15-60C90-38 :	15 Watts, 1200-1300 Lumen, 6000 K, CRI 90, 38°, Dimmable
LPAR30CK-D15-30-80 :	15 Watts, 1200 Lumen, 3000 K, CRI 80, 80°, Dimmable
LPAR30CK-D15-45-80 :	15 Watts, 1200-1300 Lumen, 4500 K, CRI 80, 80°, Dimmable
LPAR30CK-D15-60-80 :	15 Watts, 1200-1300 Lumen, 6000 K, CRI 80, 80°, Dimmable

Radiation diagram



Relative luminous intensity lv%
LED Light distribution

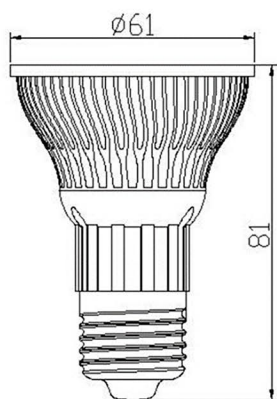


LED PAR Lamps CK Series - Energy Star, UL ULc, ETL ETLc

PAR20 COB



- Dimmable
- Aluminum Alloy heat sink
- CRI>80Ra
- Lifespan: 40,000 hrs.
- 3 year warranty
- Certificates: ETL cETL Energy Star
- Dimensions: D61*H81 mm.
- Works with 90-265V AC 50/60Hz
- Beam Angle 38°

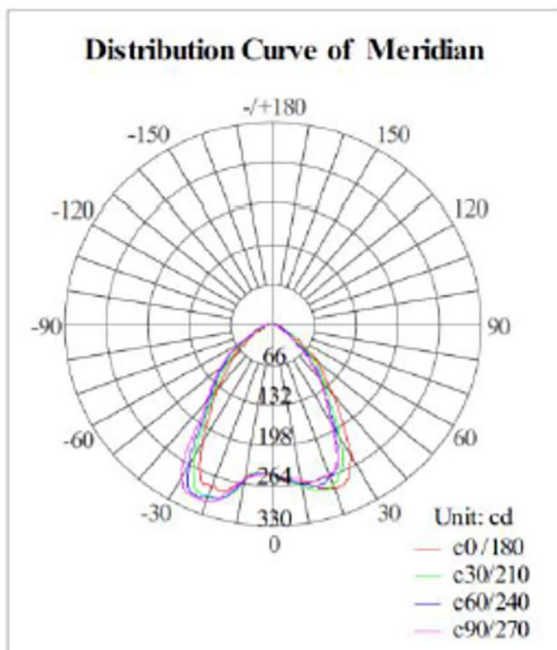


Item Codes

LPAR20CK-D7-30-38 :	7 Watts, 530 Lumen, 3000 K, CRI 80, 38°, Dimmable
LPAR20CK-D7-45-38 :	7 Watts, 570 Lumen, 4500 K, CRI 80, 38°, Dimmable
LPAR20CK-D7-60-38 :	7 Watts, 600 Lumen, 6000 K, CRI 80, 38°, Dimmable

Distribution Curve of Meridian

PAR20-T6
2700-3500K
80°



Illumination Cone Curve

PAR20-T6
80°

